

New Signal Schottky diodes in micro-packages

New Signal Schottky series with smaller footprint and reduced thickness leads to increased density



Signal Schottky diodes are used in a highly diversified field of applications. Each function has its own requirements in terms of leakage current for improved reliability in high temperature environment, V_F with regard to the thermal dissipation, or capacitance for the filtering effectiveness and data speed compatibility.

STMicroelectronics has designed this new range of small Signal Schottky diodes to perfectly fit each application. Product series combining multiple electrical trade-offs, smaller packages, and complete sets of pin configurations applicable to virtually every market, including power conversion, computer, consumer, wireline and wireless telecom.

Main features

- Low current, high speed signal and switching
- Voltage range from 15 to 100V
- Small footprint
- Low capacitance series: BAS69, BAS70
- Low forward voltage series: BAT30, BAT48, BAT46
- Low leakage current series: BAT54

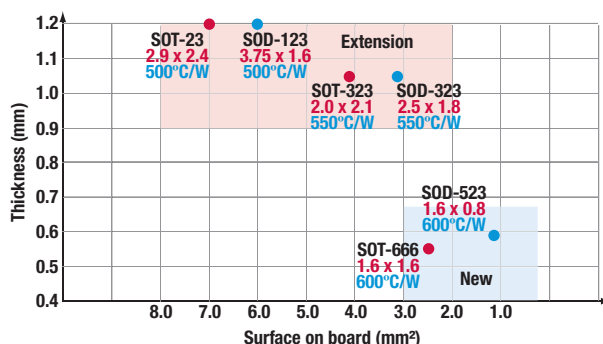
Benefits

- Exhaustive micro-package range
- New packages with thickness divided by up to 2
- BAT54 series upgraded from 30 to 40V
- Various trade-offs available, to fit each application
- New high function density SOD-523 and SOT-666 packages
- SOD-123 package as potential alternative to Minimelf

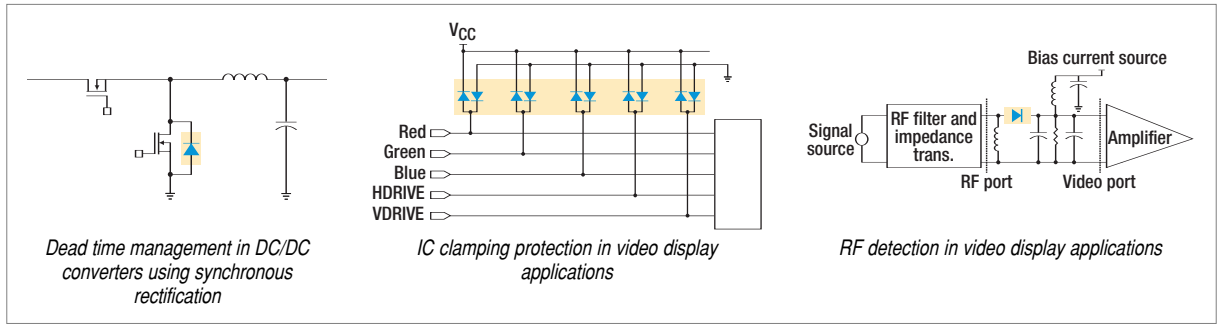
Key markets and applications

- Power conversion:
 - Freewheeling in synchronous rectification DC/DC converters
- Computer:
 - Clamping protection diode on motherboards, graphic cards
- Consumer:
 - Clamping protection diode, UHF/VHF detection in TV, LCD and plasma display panels
- Wireless:
 - Detection diode in mobile phones, remote control functions

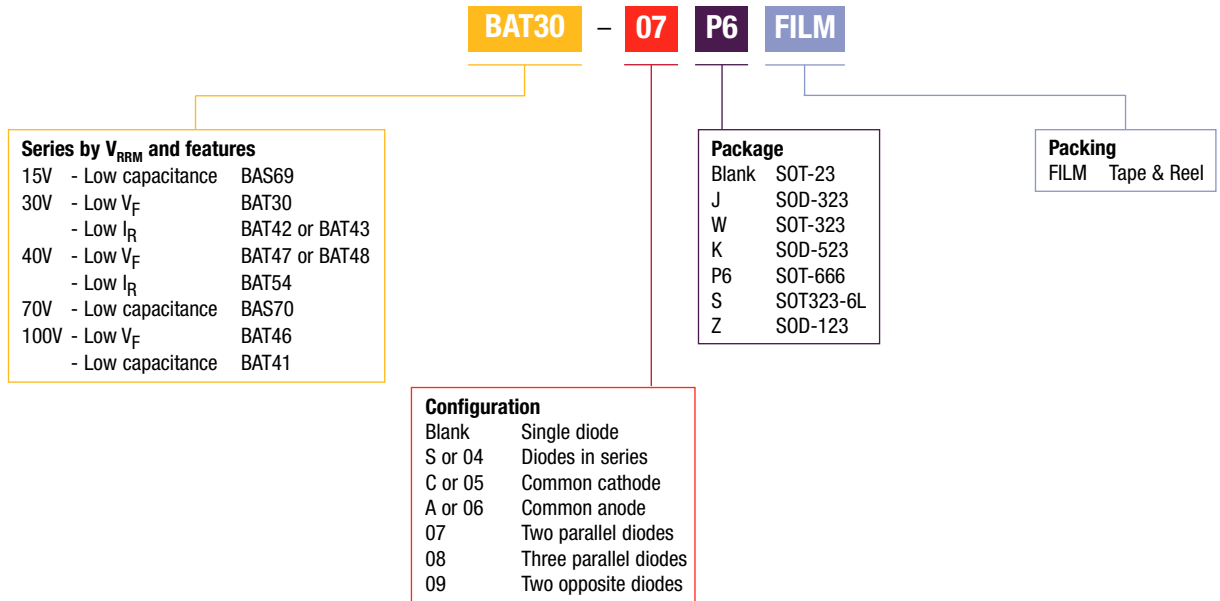
New Signal Schottky micro-package range



Typical application schematics using Signal Schottky diodes



Signal Schottky ordering information



The best range

With this new series of products, STMicroelectronics reinforces its position as a leading diode and rectifier manufacturer, providing all applications with a full range of products with different electrical trade-offs, in a full range of multi-pin, micro-packages and configurations.



© STMicroelectronics - September 2006 - Printed in Italy - All rights reserved

The STMicroelectronics corporate logo is a registered trademark of the STMicroelectronics group of companies. All other names are the property of their respective owners.

For selected STMicroelectronics sales offices fax:

China +86 21 52574820; France +33 1 55489569; Germany +49 89 4605454; Italy +39 02 8250449; Japan +81 3 57838216; Singapore +65 6481 5124; Sweden +46 8 58774411; Switzerland +41 22 9292900; United Kingdom and Eire +44 1628 890391; USA +1 781 861 2678

Full product information at www.st.com

Order code: FLDIODES1006

